

# Linear Motion Bearings-Support Rail Unit 直线轴承支撑导轨

## SBR..S Series



轴径 Shaft Diameter

**SBR...S**      **2A** + **1000L**

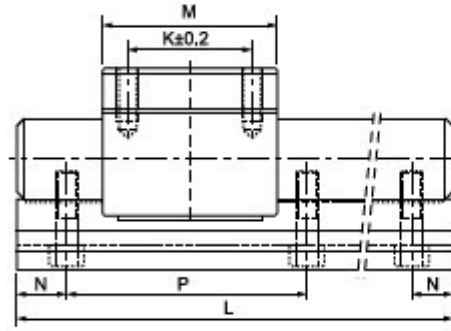
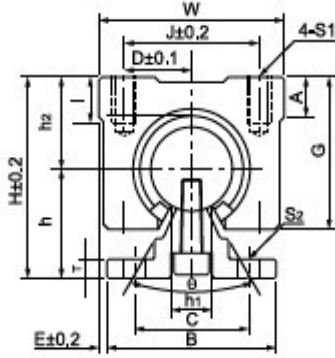
SBR支撑导轨单元  
SBR Support Rail Units

每条导轨上箱式单元数量  
Number of the Units On One Support Rail

支撑轨长度\* Rail Length

\*指支撑轨与轴组合件长度，标准值及主要尺寸见SBS系列表。用户订货时需要提供图纸。  
The main lengths of rails and slide units can be searched on the form of SBS series.

\*\*箱式单元型号 Units Designation



型号 Item No.		轴径 Shaft dia. mm	额定负荷 Basic load rating		重量 Weight(kg)		主要尺寸 Major Dimensions (mm)				
支撑导轨单元 Rail Units	箱式单元★ Slide Units		动负荷 Dynamic C N	静负荷 Static Co N	箱式单元 Slide Unit (kg)	导轨 Rails (kg/m)	D	h	H	E	θ
SBR16SA	SBR16UUA	16	770	1170	0.15	2.56	22.5	25	45	2.5	80°
SBR20SA	SBR20UUA	20	860	1370	0.2	3.5	24	27	50	1.5	60°
SBR25SA	SBR25UUA	25	980	1560	0.45	5.3	30	33	60	2.5	50°
SBR30SA	SBR30UUA	30	1560	2740	0.63	7.38	35	37	70	5	50°
SBR35SA	SBR35UUA	35	1660	3130	0.92	9.68	40	43	80	7.5	50°
SBR40SA	SBR40UUA	40	2150	4010	1.33	12.69	45	48	90	7.5	50°
SBR50SA	SBR50UUA	50	3820	7930	3	20.46	60	62	115	12.5	50°

型号 Designation	尺寸Dimensions(mm)												
	W	G	A	B	T	M	S1×1	J	K	S2	C	N	P
SBR16SA	45	33	9	40	5	45	M5×12	32	30	5.5	30	20	150
SBR20SA	48	39	11	45	5	50	M6×12	35	35	5.5	30	20	150
SBR25SA	60	47	14	55	6	65	M6×12	40	40	6.6	35	25	200
SBR30SA	70	56	15	60	7	70	M8×18	50	50	6.6	40	25	200
SBR35SA	80	63	18	65	8	80	M8×18	55	55	9	45	30	200
SBR40SA	90	72	20	75	9	90	M10×20	65	65	9	55	30	200
SBR50SA	120	91	25	95	11	110	M10×25	94	80	11	70	35	200

型号 Designation	尺寸Dimensions(mm)											额定负荷 Basic load rating		重量 Weight
	h2	D	W	M	G	h1	θ	K	S1	I	A	动负荷 Dynamic C N	静负荷 Static Co N	(gf)
SBR16LUU	20	22.5	45	85	33	10	80°	60	M5	12	9	1548	2360	300
SBR20LUU	23	24	48	96	39	10	60°	70	M6	12	11	1764	2740	400
SBR25LUU	27	30	60	130	47	11.5	50°	100	M6	12	14	1960	3140	900
SBR30LUU	33	35	70	140	56	14	50°	110	M8	18	15	3140	5480	1260
SBR40LUU	42	45	90	175	72	19	50°	140	M10	20	20	4320	8040	2660

MVB Power-Star Bearing Industry Co., Ltd.

Tel: +86-592-523 0986 Fax: +86-592-376 1975

Url: [www.mvbbearing.com](http://www.mvbbearing.com) Email: [vivy@mvbbearing.com](mailto:vivy@mvbbearing.com) ; [mvbbearing@gmail.com](mailto:mvbbearing@gmail.com)