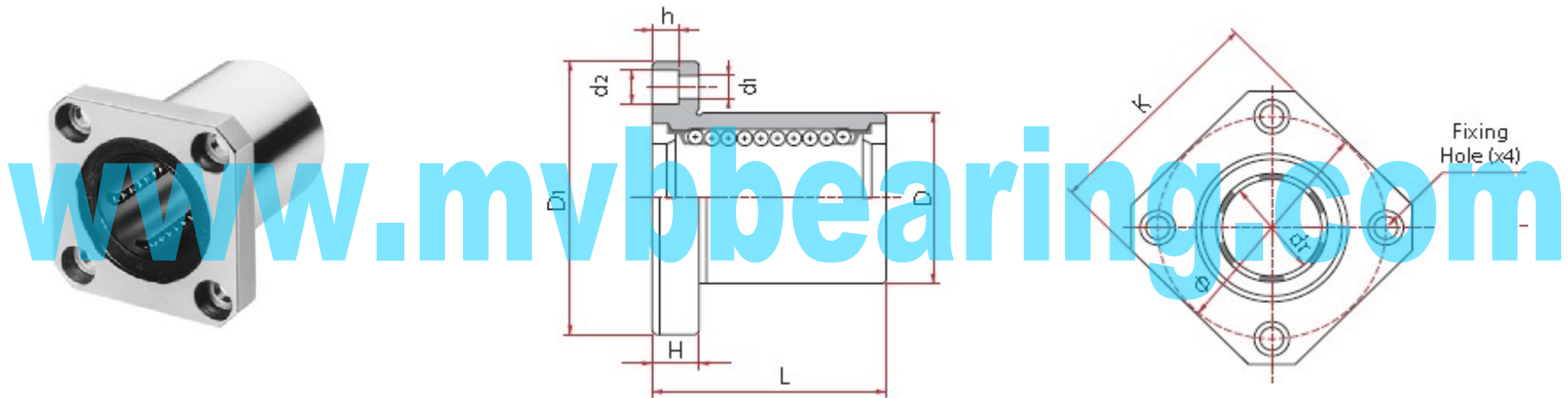


Flanged Linear Motion Bearings-Linear Ball Busings 法兰式直线轴承 LMK..UU Series



Resin Retainer This type is a metric dimension series generally used in Asia and other countries.



标准型 Standard Type LMK...	密封型 Sealed Type LMK..UU	重量 Weight (g)	公称轴径 Nominal shaft dia. mm	主要尺寸和公差 Major dimensions and tolerance(T)												偏心 Eccentricity μ m	垂直度 Squareness μ m	额定负荷 Basic load rating			
				D		L		D ₁	H	K	Φ	d ₁	d ₂	h	Dynamic C N			Static Co N			
				公差 Tolerance		公差 Tol.															
				μ m		μ m															
LMK6	LMK6UU	24	6	12	0	19	±300	28	5	22	20	3.5	6	3.1	12	12	206	265			
LMK8S	LMK8SUU	32	8	15	-13	17	±300	32	5	25	24	3.5	6	3.1			176	216			
LMK8	LMK8UU	37	8	15		24		32	5	25	54	3.5	6	3.1			274	392			
LMK10	LMK10UU	72	10	19		29	0 -200	40	6	30	29	4.5	7.5	4.1			372	549			
LMK12	LMK12UU	76	12	21	0	30		42	6	32	32	4.5	7.5	4.1	510	784					
LMK13	LMK13UU	88	13	23	-13	32		43	6	34	33	4.5	7.5	4.1	510	784					
LMK16	LMK16UU	120	16	28		37		48	6	37	38	4.5	7.5	4.1	774	1180					
LMK20	LMK20UU	180	20	32	0	42	0 -300	54	8	42	43	5.5	9	5.1	15	15	882	1370			
LMK25	LMK25UU	340	25	40	-16	59		62	8	50	51	5.5	9	5.1			980	1570			
LMK30	LMK30UU	470	30	45		64		74	10	58	60	6.6	11	6.1			1570	2740			
LMK35	LMK35UU	650	35	52	0	70		82	10	64	67	6.6	11	6.1			1670	3140			
LMK40	LMK40UU	1,060	40	60	0	80	0 -400	96	13	75	78	9	14	8.1	20	20	2160	4020			
LMK50	LMK50UU	2,200	50	80	-19	100		116	13	92	98	9	14	8.1			3820	7940			
LMK60	LMK60UU	3,000	60	90	0	110		134	18	106	112	11	17	11			4700	10000			
LMK80	LMK80UU	5,800	80	120	-22	140		164	18	136	142	11	17	11			7350	16000			
LMK100	LMK100UU	10,600	100	150	0	175	0 -25	200	20	170	175	14	20	13	30	30	14100	34800			