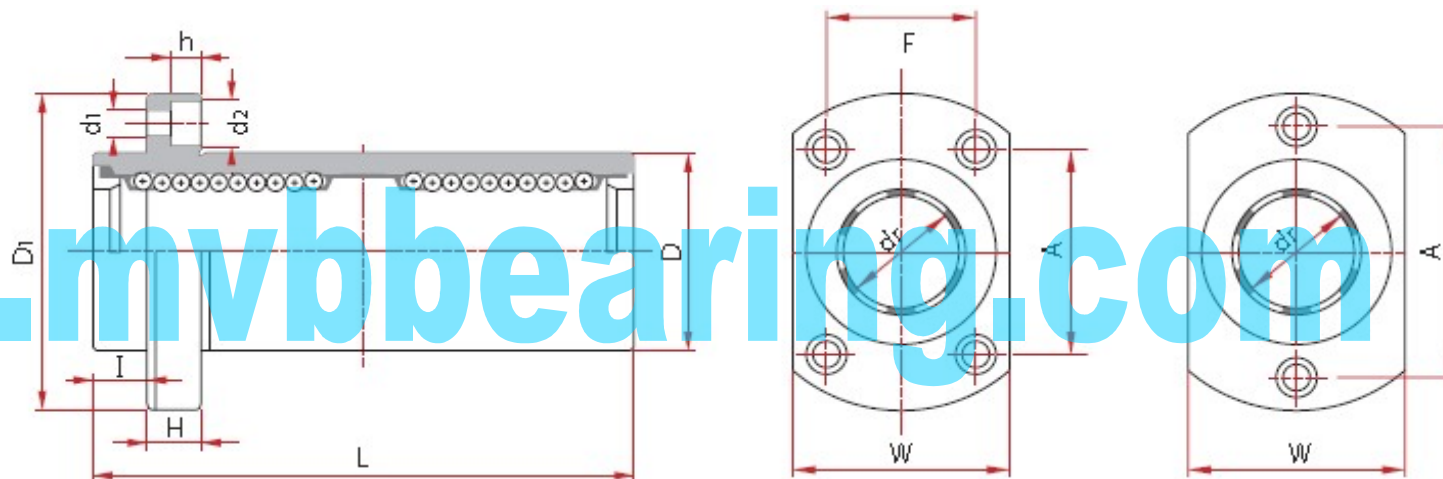


Flanged Linear Motion Bearings-Linear Ball Busings 法兰式直线轴承 LMHP..LUU Series



Resin Retainer This type is a metric dimension series generally used in Asia and other countries.



LMHP16L ~
LMHP40L

LMHP6L ~
LMHP13L

标准型 Standard Type LMHP...L	密封型 Sealed Type LMHP..LUU	重量 Weight (g)	公称轴径 Nominal shaft dia. mm	dr	主要尺寸和公差 Major dimensions and tolerance(T)													偏心 Eccentricity	垂直度 Squareness	额定负荷 Basic load rating	
					D		L		I	D ₁	W	H	A	F	d ₁	d ₂	h			Dynamic C N	Static Co N
					公差 Tolerance	公差 Tol.	公差 Tol.	公差 Tol.													
					mm	μm	mm	μm	mm	mm	mm	mm	mm	mm	mm	mm	mm			μm	μm
LMHP6L	LMHP6LUU	28	6	0 -10	12	0	35	±300	5	28	18	5	20	-	3.5	6	3.1	15	15	323	529
LMHP8L	LMHP8LUU	47	8		15	-13	45		5	32	21	5	24	-	3.5	6	3.1			431	784
LMHP10L	LMHP10LUU	90	10		19	0 -16	55	0 -300	6	40	25	6	29	-	4.5	7.5	4.1			588	1,100
LMHP12L	LMHP12LUU	102	12		21		57		6	42	27	6	32	-	4.5	7.5	4.1			813	1,570
LMHP13L	LMHP13LUU	123	13	23	61		6		43	29	6	33	-	4.5	7.5	4.1	813	1,570			
LMHP16L	LMHP16LUU	182	16	28	70	6	48		34	6	31	22	4.5	7.5	4.1	1,230	2,350				
LMHP20L	LMHP20LUU	247	20	0 -12	32	0 -19	80	0 -400	8	54	38	8	36	24	5.5	9	5.1	20	20	1,400	2,740
LMHP25L	LMHP25LUU	525	25		40		112		8	62	46	8	40	32	5.5	9	5.1			1,560	3,140
LMHP30L	LMHP30LUU	645	30		45		123		10	74	51	10	49	35	6.6	11	6.1			2,490	5,490