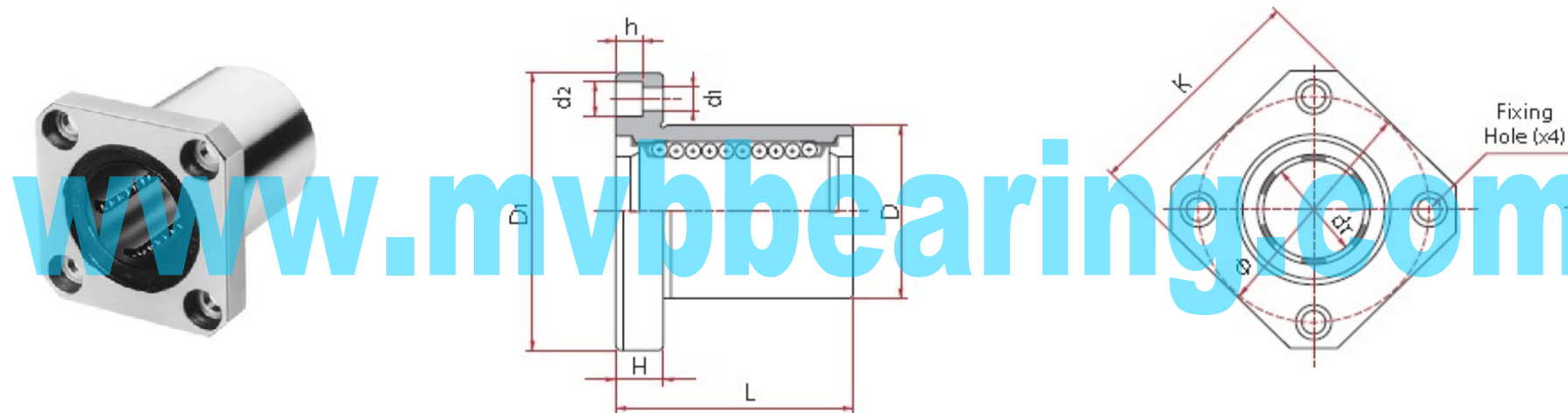


Flanged Linear Motion Bearings-Linear Ball Busings 法兰式直线轴承 LMEK..UU Series



Resin Retainer This type is a metric dimension series generally used in Europe.



标准型 Standard Type LMEK...	密封型 Sealed Type LMEK..UU	重量 Weight (g)	公称轴径 Nominal shaft dia. mm	主要尺寸和公差 Major dimensions and tolerance(T)												偏心 Eccentricity μm	垂直度 Squareness μm	额定负荷 Basic load rating	
				dr 公差 Tolerance μm	D		L		D ₁	K	H	Φ	d ₁	d ₂	h			Dynamic C N	Static Co N
					mm	公差 Tol. μm	mm	公差 Tol. μm											
					mm	μm	mm	μm											
LMEK5	LMEK5UU	20	5	12	0 -8	22	±300	28	22	5	20	3.5	6	3.1	12	12	206	265	
LMEK8	LMEK8UU	33	8	16	0 -8	25	±300	32	25	5	24	3.5	6	3.1			265	402	
LMEK12	LMEK12UU	64	12	22	0 -9	32	0 -200	42	32	6	32	4.5	7.5	4.1			510	784	
LMEK16	LMEK16UU	90	16	26	+9 -1	36	0 -200	46	35	6	36	4.5	7.5	4.1	15	15	578	892	
LMEK20	LMEK20UU	147	20	32	0 -11	45	0 -300	54	42	8	43	5.5	9	5.1			862	1,370	
LMEK25	LMEK25UU	295	25	40	+11 -1	58	0 -300	62	50	8	51	5.5	9	5.1			980	1,570	
LMEK30	LMEK30UU	465	30	47	0 -13	68	0 -300	76	60	10	62	6.6	11	6.1	17	17	1,570	2,740	
LMEK40	LMEK40UU	975	40	62	0 -13	80	0 -300	98	75	13	80	9	14	8.1			2,160	4,020	
LMEK50	LMEK50UU	1545	50	75	+13 -2	100	0 -300	112	88	13	94	9	14	8.1			3,820	7,940	
LMEK60	LMEK60UU	2780	60	90	0 -15	125	0 -400	134	106	18	112	11	17	11	20	20	4,700	9,800	
LMEK80	LMEK80UU	5920	80	120	+16 -4	165	0 -400	164	136	18	142	11	17	11			7,350	16,000	