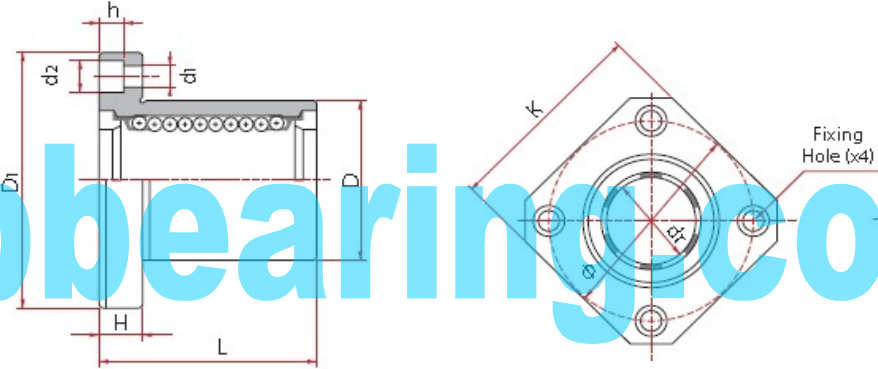
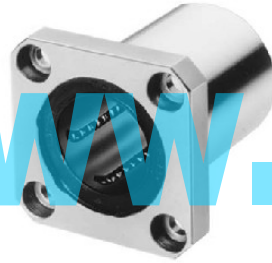


Linear Motion Bearings-Linear Ball Busings 直线轴承 LMBK..UU Series



Resin Retainer

This type is a inch dimension series generally used in the America.



www.mvbbearing.com

标准型 Standard Type LMBK...	密封型 Sealed Type LMBK..UU	重量 Weight (g)	公称轴径 Nominal shaft dia. Inch / mm	dr	主要尺寸和公差 Major dimensions and tolerance(T)											偏心 Eccentricity inch / μm	垂直度 Squanreness inch / μm	额定负荷 Basic load rating	
					D		L		D ₁	K	H	Φ	d ₁	d ₂	h			动负荷 Dynamic C N	静负荷 Static Co N
					inch / mm	公差 Tol. inch / μm	inch / mm	公差 Tol. inch / μm	inch / mm	inch / mm	inch / mm	inch / mm	inch / mm	inch / mm	inch / mm				
LMBK4	LMBK4UU	32	1/4 6.350	0 -0.00040	.5000 12.700	0 -0.00045 0 -11	.7500 19.050	±0.12 ±300	1.2500 31.750	1.0000 25.400	0.219 5.556	.8750 22.225	.1560 3.969	.2500 6.350	.1410 3.572	0.0005 12	0.0005 12	206	265
LMBK6	LMBK6UU	47	3/8 9.525	0 -9	.6250 15.875	0 -0.00050	.8750 22.225	0 ±0.008	1.5000 37.100	1.2500 31.750	.2500 6.350	1.0620 26.988	.1875 4.763	.2970 7.541	.1720 4.366	0.0006 15	0.0006 15	225	314
LMBK8	LMBK8UU	88	1/2 12.700	0 -10	.8750 22.225	0 -0.00075	1.2500 31.750	0 ±0.012	1.7500 44.450	1.3750 34.925	.2500 6.350	1.312 33.338	.1875 4.763	.2970 7.541	.1720 4.366	0.0010 25	0.0010 25	510	784
LMBK10	LMBK10UU	140	5/8 15.875	0 -12	1.1250 28.575	0 -0.00090	1.5000 38.100	0 ±0.016	2.0000 50.800	1.5000 38.100	.2500 6.350	1.5620 39.688	.1875 4.763	.2970 7.541	.1720 4.366	0.0012 30	0.0012 30	774	1,180
LMBK12	LMBK12UU	190	3/4 19.050	0 -15	1.2500 31.750	0 -0.00110	1.6250 41.275	0 ±0.020	2.1875 55.563	1.6875 42.863	.3125 7.938	1.7180 43.660	.2187 5.556	.3440 8.731	.2030 5.159	0.0015 38	0.0015 38	862	1,370
LMBK16	LMBK16UU	325	1 25.400	0 -18	1.5625 39.688	0 -0.00130	2.2500 57.150	0 ±0.025	2.5000 63.500	2.0000 50.800	.3125 7.938	2.0310 51.594	.2187 5.556	.3440 8.731	.2030 5.159	0.0020 51	0.0020 51	980	1,570
LMBK20	LMBK20UU	665	1-1/4 31.750	0 -22	2.0000 50.800	0 -0.00150	2.6250 66.675	0 ±0.030	3.1250 79.375	2.5000 63.500	.3750 9.525	2.5625 65.088	.2812 7.144	.4060 10.319	.2656 6.747	0.0025 64	0.0025 64	1,570	2,740
LMBK24	LMBK24UU	1100	1-1/2 38.100	0 -25	2.3750 60.325	0 -0.00170	3.0000 76.200	0 ±0.035	3.7500 95.250	3.0000 76.200	.5000 12.700	3.0625 77.788	.3440 8.731	.5000 12.700	.3280 8.334	0.0030 76	0.0030 76	2,180	4,020
LMBK32	LMBK32UU	1,760	2 50.800	0 -30	3.0000 76.200	0 -0.00190	4.0000 101.600	0 ±0.040	4.3750 111.125	3.5000 88.900	.5000 12.700	3.6875 93.662	.3440 8.731	.5000 12.700	.3280 8.334	0.0035 89	0.0035 89	3,820	7,940
LMBK40	LMBK40UU	3570	2-1/2 63.500	0 -35	3.7500 95.250	0 -0.00210	5.000 127.000	0 ±0.045	5.3750 136.525	4.3750 111.125	.7500 19.050	4.5625 115.887	.4062 10.319	.6250 15.875	.3750 9.525	0.0040 102	0.0040 102	4,705	10,000
LMBK48	LMBK48UU	5600	3 76.200	0 -40	4.2500 114.500	0 -0.00230	6.0000 152.400	0 ±0.050	6.1250 155.575	5.0000 127.000	.7500 19.050	5.3125 134.937	.4062 10.319	.6250 15.875	.3750 9.525	0.0045 115	0.0045 115	7,353	15,980
LMBK64	LMBK64UU	12,000	4 101.600	0 -45	6.0000 152.400	0 -0.00250	8.0000 203.200	0 ±0.055	8.0000 203.200	6.7500 171.450	.8750 22.225	7.0000 177.800	.5000 12.700	.7125 18.097	0.5000 12.700	0.0050 127	0.0050 127	14,118	34,800