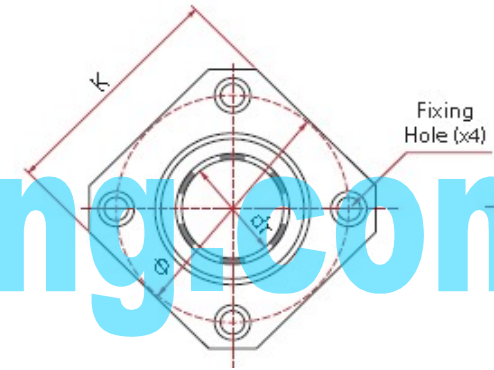
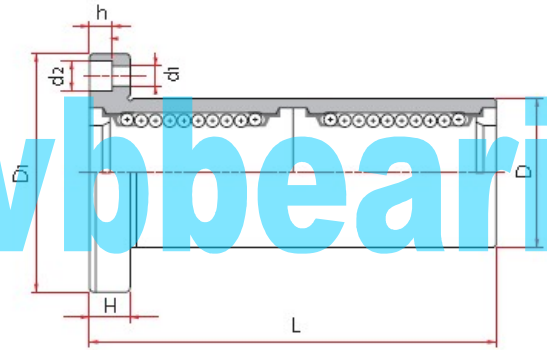


Linear Motion Bearings-Linear Ball Busings 直线轴承

LMBK..LUU Series



Resin Retainer This type is a inch dimension series generally used in the America.



www.mvbbearing.com

标准型 Standard Type LMBK...L	密封型 Sealed Type LMBK..LUU	重量 Weight (g)	公称轴径 Nominal shaft dia. Inch / mm	dr 公差 Tolerance inch / μ m	主要尺寸和公差 Major dimensions and tolerance(T)											偏心 Eccentricity inch / μ m	垂直度 Squanreness inch / μ m	额定负荷 Basic load rating	
					D		L		D ₁	K	H	Φ	d ₁	d ₂	h			动负荷 Dynamic C N	静负荷 Static Co N
					inch / mm	公差 Tol. inch / μ m	inch / mm	公差 Tol. inch / μ m											
LMBK4L	LMBK4LUU	32	1/4 6.350	0 -0.00040	.5000 12.700	0 -0.00050 0 -13	1.3750 34.925	±0.12 ±300	1.2500 31.750	1.0000 25.400	0.219 5.556	.8750 22.225	.1560 3.969	.2500 6.350	.1410 3.572	0.0006 15	0.0006 15	323	530
LMBK6L	LMBK6LUU	47	3/8 9.525	0 -9	.6250 15.875	0 -0.00065	1.5938 40.481	±0.12 ±300	1.5000 37.100	1.2500 31.750	.2500 6.350	1.0620 26.988	.1875 4.763	.2970 7.541	.1720 4.366	0.0006 15	0.0006 15	353	630
LMBK8L	LMBK8LUU	88	1/2 12.700	0 -9	.8750 22.225	0 -0.00065	2.3750 60.325	0 -0.012	1.7500 44.450	1.3750 34.925	.2500 6.350	1.312 33.338	.1875 4.763	.2970 7.541	.1720 4.366	0.0008 20	0.0008 20	813	1,570
LMBK10L	LMBK10LUU	140	5/8 15.875	0 -9	1.1250 28.575	0 -16	2.8125 71.438	0 -0.012	2.0000 50.800	1.5000 38.100	.2500 6.350	1.5620 39.688	.1875 4.763	.2970 7.541	.1720 4.366	0.0008 20	0.0008 20	1,230	2,350
LMBK12L	LMBK12LUU	190	3/4 19.050	0 -0.00050	1.2500 31.750	0 -0.00075	3.0937 78.581	0 -300	2.1875 55.563	1.6875 42.863	.3125 7.938	1.7180 43.660	.2187 5.556	.3440 8.731	.2030 5.159	0.0008 20	0.0008 20	1,370	2,740
LMBK16L	LMBK16LUU	325	1 25.400	0 -12	1.5625 39.688	0 -19	4.2831 108.744	0 -0.016	2.5000 63.500	2.0000 50.800	.3125 7.938	2.0310 51.594	.2187 5.556	.3440 8.731	.2030 5.159	0.0010 25	0.0010 25	1,570	3,140
LMBK20L	LMBK20LUU	665	1-1/4 31.750	0 -0.00065	2.0000 50.800	0 -0.00090	5.0000 127.000	0 -0.016	3.1250 79.375	2.5000 63.500	.3750 9.525	2.5625 65.088	.2812 7.144	.4060 10.319	.2656 6.747	0.0010 25	0.0010 25	2,500	5,490
LMBK24L	LMBK24LUU	1100	1-1/2 38.100	0 -0.00065	2.3750 60.325	0 -22	5.6875 144.463	0 -400	3.7500 95.250	3.0000 76.200	.5000 12.700	3.0625 77.788	.3440 8.731	.5000 12.700	.3280 8.334	0.0012 30	0.0012 30	3,430	8,040
LMBK32L	LMBK32LUU	1,760	2 50.800	0 -16	3.0000 76.200	0 -0.0100 0 -25	7.7500 196.850	0 -400	4.3750 111.125	3.5000 88.900	.5000 12.700	3.6875 93.662	.3440 8.731	.5000 12.700	.3280 8.334	0.0012 30	0.0012 30	6,080	15,900