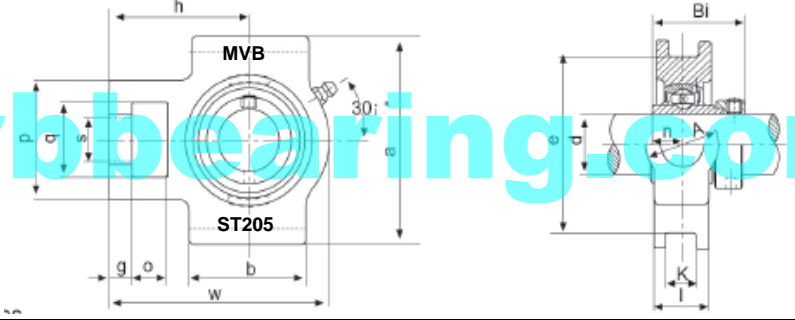




*HCST=NAST=UELST



www.mvbbearing.com

MVB Bearing Unit NO.	Shaft Dia d		Dimensions (in) (mm)															Bearing No.	Housing No.	Weight (kg)	
	(in)	(mm)	o	g	p	q	s	b	k(in)	e	a	w	i	l	h	Bi	n				
HCST201-8 HCST201	1/2	12																	HC201-8 HC201		
HCST202-9 HCST202-10 HCST202	9/16 5/8	15	5/8 16	13/32 10	2 51	1 1/4 32	3/4 19	2 51		2 63/64 76	3 1/2 89	3 11/16 94	1 1/4 32	15/16 21	2 13/32 61	1.713 43.5	0.669 17	HC202-9 HC202-10 HC202	ST204	0.87	
HCST203-11 HCST203 HCST204-12 HCST204	11/16 3/4	17 20																HC203-11 HC203 HC204-12 HC204			
HCST205-13 HCST205-14 HCST205-15 HCST205-16 HCST205	13/16 7/8 15/16 1	25	5/8 16	13/32 10	2 51	1 1/4 32	3/4 19	2 51		2 63/64 76	3 1/2 89	3 13/16 97	1 1/4 32	15/16 24	2 7/16 62	1.744 44.3	0.685 17.4	HC205-13 HC205-14 HC205-15 HC205-16 HC205	ST205	0.92	
HCST206-17 HCST206-18 HCST206-19 HCST206-20 HCST206	1-1/16 1-1/8 1-3/16 1-1/4	30	5/8 16	13/32 10	2 7/32 56	1 15/32 37	55/64 22	2 1/4 57		3 1/2 89	4 1/32 102	4 7/16 113	1 15/32 37	1 3/32 28	2 3/4 70	1.902 48.3	0.717 18.2	HC206-17 HC206-18 HC206-19 HC206-20 HC206	ST206	1.39	
HCST207-20 HCST207-21 HCST207-22 HCST207-23 HCST207	1-1/4 1-5/16 1-3/8 1-7/16	35	5/8 16	1/2 13	2 17/32 64	1 15/32 37	55/64 22	2 17/32 64		3 1/2 89	4 1/32 102	5 3/32 129	1 15/32 37	1 3/16 30	3 1/16 78	2.012 51.1	0.740 18.8	HC207-20 HC207-21 HC207-22 HC207-23 HC207	ST207	1.83	
HCST208-24 HCST208-25 HCST208	1-1/2 1-9/16	40	3/4 19	5/8 16	3 9/32 83	1 15/16 49	1 9/64 29	3 9/32 83		4 1/64 102	4 1/2 114	5 21/32 144	1 15/16 49	1 5/16 33	3 15/32 88	2.217 56.3	0.843 21.4	HC208-24 HC208-25 HC208	ST208	2.64	
HCST209-26 HCST209-27 HCST209-28 HCST209	1-5/8 1-11/16 1-3/4	45	3/4 19	5/8 16	3 9/32 83	1 15/16 49	1 9/64 29	3 9/32 83		4 1/64 102	4 19/32 117	5 21/32 144	1 15/16 49	1 3/8 35	3 7/16 87	2.217 56.3	0.843 21.4	HC209-26 HC209-27 HC209-28 HC209	ST209	2.67	
HCST210-29 HCST210-30 HCST210-31 HCST210-32 HCST210	1-13/16 1-7/8 1-15/16 2	50	3/4 19	5/8 16	3 9/32 83	1 15/16 49	1 9/64 29	3 3/8 86		4 1/64 102	4 19/32 117	5 7/8 149	1 15/16 49	1 15/32 37	3 17/32 90	2.469 62.7	0.969 24.6	HC210-29 HC210-30 HC210-31 HC210-32 HC210	ST210	2.81	
HCST211-32 HCST211-33 HCST211-34 HCST211-35 HCST211	2 2-1/16 2-1/8 2-3/16	55	1 25.4	3/4 19	4 1/32 102	2 17/32 64	1 3/8 35	3 3/4 95		5 1/8 130	5 3/4 146	6 22/32 171	2 17/32 64	1 1/2 38	4 3/16 106	2.807 71.3	1.091 27.7	HC211-32 HC211-33 HC211-34 HC211-35 HC211	ST211	4.27	
HCST212-36 HCST212-37 HCST212-38 HCST212-39 HCST212	2-1/4 2-5/16 2-3/8 2-7/16	60	1 1/4 32	3/4 19	4 1/32 102	2 17/32 64	1 3/8 35	4 1/32 102		5 1/8 130	5 3/4 146	7 5/8 194	2 17/32 64	1 21/32 42	4 11/16 119	3.059 77.7	1.217 30.9	HC212-36 HC212-37 HC212-38 HC212-39 HC212	ST212	5.26	
HCST213-40 HCST213-41 HCST213	2-1/2 2-9/16	65	1 1/4 32	13/16 21	4 3/8 111	2 3/4 70	1 39/64 41	4 3/4 121		5 15/16 151	6 9/16 167	8 13/16 224	2 3/4 70	1 23/32 44	5 13/32 137	3.374 85.7	1.343 34.1	HC213-40 HC213-41 HC213	ST213	7.55	
HCST214-42 HCST214-43 HCST214-44 HCST214	2-5/8 2-11/16 2-3/4	70	1 1/4 32	13/16 21	4 3/8 111	2 3/4 70	1 39/64 41	4 3/4 121		5 15/16 151	6 9/16 167	8 13/16 224	2 3/4 70	1 13/16 46	5 13/32 137	3.374 85.7	1.343 34.1	HC214-42 HC214-43 HC214-44 HC214	ST214	7.62	
HCST215-45 HCST215-46 HCST215-47 HCST215-48 HCST215	2-13/16 2-7/8 2-15/16 3	75	1 1/4 32	13/16 21	4 3/8 111	2 3/4 70	1 39/64 41	4 3/4 121		5 15/16 151	6 9/16 167	9 1/8 232	2 3/4 70	1 7/8 48	5 1/2 140	3.626 92.1	1.469 37.3	HC215-45 HC215-46 HC215-47 HC215-48 HC215	ST215	8.13	