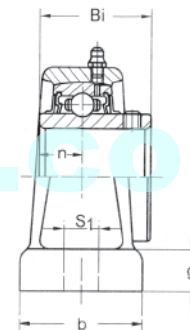
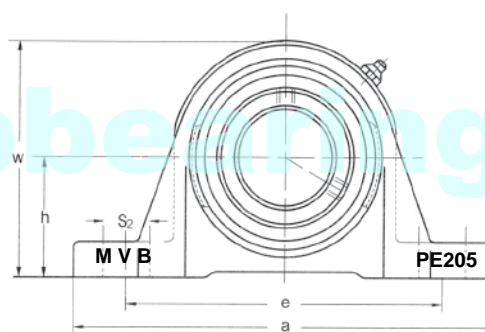




*HC=NA=UEL



MVB Bearing Unit No.	Shaft Dia		Dimensions(mm) / (inch)										Bolt Size	Bearing No.	Housing No.	Weight (kg)	
	in.	mm	h	a	e	b	s1	s2	g	w	Bi	n					
HCPE201-8	1/2		33.3	127	95	38	13	16	15	65	43.5	17	M10	HC201-8	PE204	0.85	
HCPE202-10	5/8													3/8			HC202-10
HCPE204		20	1.3110	5.0000	3.7402	1.4961	0.5118	0.6299	0.5906	2.5591	1.7126	0.6693		3/8			HC204
HCPE204-12	3/4													3/8			HC204-12
HCPE205		25	36.6	140	105	38	13	16	16	70	44.3	17.4	M10	HC205	PE205	1.06	
HCPE205-14	7/8												3/8	HC205-14			
HCPE205-15	15/16		1.4409	5.5118	4.1339	1.4961	0.5118	0.6299	0.6299	2.7559	1.7441	0.6850	3/8	HC205-15			
HCPE205-16	1												3/8	HC205-16			
HCPE206		30	42.9	165	121	48	17	21	18	83	48.3	18.2	M14	HC206	PE206	1.7	
HCPE206-17	1-1/16												1/2	HC206-17			
HCPE206-18	1-1/8		1.6890	6.4961	4.7638	1.8898	0.6693	0.8268	0.7087	3.2677	1.9016	0.7165	1/2	HC206-18			
HCPE206-19	1-3/16												1/2	HC206-19			
HCPE206-20	1-1/4												1/2	HC206-20			
HCPE207		35	47.6	167	127	48	17	21	19	94	51.1	18.8	M14	HC207	PE207	2.25	
HCPE207-20	1-1/4												1/2	HC207-20			
HCPE207-21	1-5/16		1.8740	6.5748	5.0000	1.8898	0.6693	0.8268	0.7480	3.7008	2.0118	0.7402	1/2	HC207-21			
HCPE207-22	1-3/8												1/2	HC207-22			
HCPE207-23	1-7/16												1/2	HC207-23			
HCPE208		40	49.2	184	137	54	17	25	19	100	56.3	21.4	M14	HC208	PE208	2.8	
HCPE208-24	1-1/2		1.9370	7.2441	5.3937	2.1260	0.6693	0.9843	0.7480	3.9370	2.2165	0.8425	1/2	HC208-24			
HCPE208-25	1-9/16												1/2	HC208-25			
HCPE209		45	54	190	146	54	17	25	20	108	56.3	21.4	M14	HC209	PE209	3.15	
HCPE209-26	1-5/8												1/2	HC209-26			
HCPE209-27	1-11/16		2.1260	7.4803	5.7480	2.1260	0.6693	0.9843	0.7874	4.2520	2.2165	0.8425	1/2	HC209-27			
HCPE209-28	1-3/4												1/2	HC209-28			
HCPE210		50	57.2	206	159	60	20	25	22	114	62.7	24.6	M16	HC210	PE210	3.8	
HCPE210-30	1-7/8												5/8	HC210-30			
HCPE210-31	1-15/16		2.2520	8.1102	6.2598	2.3622	0.7874	0.9843	0.8661	4.4882	2.4685	0.9685	5/8	HC210-31			
HCPE210-32	2												5/8	HC210-32			
HCPE211		55	63.5	219	171	60	20	25	22	126	71.4	27.7	M16	HC211	PE211	4.7	
HCPE211-32	2												5/8	HC211-32			
HCPE211-34	2-1/8		2.5000	8.6220	6.7323	2.3622	0.7874	0.9843	0.8661	4.9606	2.8110	1.0906	5/8	HC211-34			
HCPE211-35	2-3/16												5/8	HC211-35			
HCPE212		60	69.8	241	184	70	20	25	25	138	77.7	30.9	M16	HC212	PE212	6.6	
HCPE212-36	2-1/4												5/8	HC212-36			
HCPE212-38	2-3/8		2.7480	9.4882	7.2441	2.7559	0.7874	0.9843	0.9843	5.4331	3.0591	1.2165	5/8	HC212-38			
HCPE212-39	2-7/16												5/8	HC212-39			
HCPE213		65	76.2	265	203	70	25	29	27	150	85.7	34.1	M20	HC213	PE213	7.5	
HCPE213-40	2-1/2		3.0000	10.4331	7.9921	2.7559	0.9843	1.1417	1.0630	5.9055	3.3740	1.3425	3/4	HC213-40			
HCPE214		70	79.4	266	210	72	25	31	27	156	85.7	34.1	M20	HC214	PE214	8	
HCPE214-43	2-11/16		3.1260	10.4724	8.2677	2.8346	0.9843	1.2205	1.0630	6.1417	3.3740	1.3425	3/4	HC214-43			
HCPE214-44	2-3/4												3/4	HC214-44			
HCPE215		75	82.6	275	217	74	25	31	28	163	92.1	37.3	M20	HC215	PE215	9	
HCPE215-47	2-15/16		3.2520	10.8268	8.5433	2.9134	0.9843	1.2205	1.1024	6.4173	3.6260	1.4685	3/4	HC215-47			
HCPE215-48	3												3/4	HC215-48			

NOTE: 1. Grease Fittings available at 90° and 45° positions.