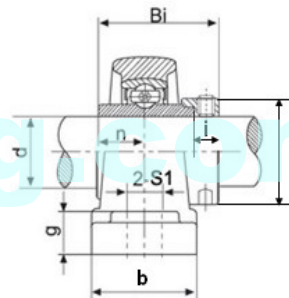
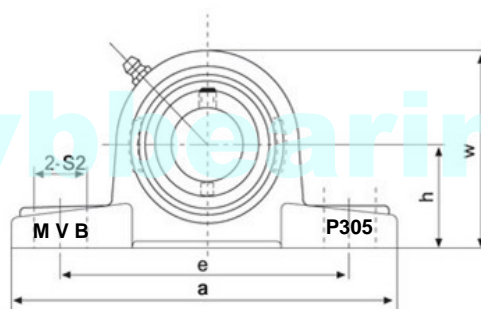




*HC=NA=UEL



MVB Bearing Unit No.	Shaft Dia d		Dimensions (inch) / (mm)										Bolt Size		Bearing No.	Housing No.	Housing Weight (kg)
	(in)	(mm)	h	a	e	b	S1	S2	g	w	Bi	n	(in)	(mm)			
HCP305-13 HCP305-14 HCP305-15 HCP305-16 HCP305	13/16 7/8 15/16 1	25	1.7717	6.8898	5.1969	1.7717	0.7874	0.6693	0.5906	3.3465	1.8425	0.6575	1/2	M14	HC305-13 HC305-14 HC305-15 HC305-16 HC305	P305	1.4
HCP306-17 HCP306-18 HCP306-19 HCP306	1-1/16 1-1/8 1-3/16	30	1.9685	7.0866	5.5118	1.9685	0.7874	0.6693	0.7087	3.7402	1.9685	0.6890	1/2	M14	HC306-17 HC306-18 HC306-19 HC306	P306	1.9
HCP307-20 HCP307-21 HCP307-22 HCP307-23 HCP307	1-1/4 1-5/16 1-3/8 1-7/16	35	2.2047	8.2677	6.2992	2.2047	0.9843	0.6693	0.7874	4.1732	2.0315	0.7205	1/2	M14	HC307-20 HC307-21 HC307-22 HC307-23 HC307	P307	2.9
HCP308-24 HCP308-25 HCP308	1-1/2 1-9/16	40	2.3622	8.6614	6.6929	2.3622	1.0630	0.6693	0.8661	4.5669	2.2480	0.7795	1/2	M14	HC308-24 HC308-25 HC308	P308	3.1
HCP309-26 HCP309-27 HCP309-28 HCP309	1-5/8 1-11/16 1-3/4	45	2.6378	9.6457	7.4803	2.6378	1.1811	0.7874	0.9449	5.0787	2.3110	0.7795	5/8	M16	HC309-26 HC309-27 HC309-28 HC309	P309	4.3
HCP310-29 HCP310-30 HCP310-31 HCP310	1-13/16 1-7/8 1-15/16	50	2.9528	10.8268	8.3465	2.9528	1.3780	0.7874	1.0630	5.6299	2.6220	0.9685	5/8	M16	HC310-29 HC310-30 HC310-31 HC310	P310	6.0
HCP311-32 HCP311-33 HCP311-34 HCP311-35 HCP311	2 2-1/16 2-1/8 2-3/16	55	3.1496	12.2047	9.2913	3.1496	1.4961	0.7874	1.1811	6.0630	2.8740	1.0945	5/8	M16	HC311-32 HC311-33 HC311-34 HC311-35 HC311	P311	7.7
HCP312-36 HCP312-37 HCP312-38 HCP312-39 HCP312	2-1/4 2-5/16 2-3/8 2-7/16	60	3.3465	12.9921	9.8425	3.3465	1.4961	0.9843	1.2598	6.4961	3.1260	1.1614	3/4	M20	HC312-36 HC312-37 HC312-38 HC312-39 HC312	P312	9.7
HCP313-40 HCP313-41 HCP313	2-1/2 2-9/16	65	3.5433	13.3858	10.2362	3.5433	1.4961	0.9843	1.2992	6.9291	3.3740	1.2795	3/4	M20	HC313-40 HC313-41 HC313	P313	11
HCP314-42 HCP314-43 HCP314-44 HCP314	2-5/8 2-11/16 2-3/4	70	3.7402	14.1732	11.0236	3.5433	1.5748	1.0630	1.3780	7.3622	3.9370	1.4685	7/8	M22	HC314-42 HC314-43 HC314-44 HC314	P314	12
HCP315-45 HCP315-46 HCP315-47 HCP315-48 HCP315	2 13/16 2 7/8 2 15/16 3	75	3.9370	14.9606	11.4173	3.9370	1.5748	1.0630	1.3780	7.7953	4.1890	1.5945	7/8	M22	HC315-45 HC315-46 HC315-47 HC315-48 HC315	P315	15
HCP316-49 HCP316-50 HCP316-51 HCP316	3-1/16 3-1/8 3-3/16	80	4.1732	15.7480	11.8110	4.3307	1.5748	1.0630	1.5748	8.2677	4.3110	1.6535	7/8	M22	HC316-49 HC316-50 HC316-51 HC316	P316	21
HCP317-52 HCP317-53 HCP317-54 HCP317-55 HCP317	3-1/4 3-5/16 3-3/8 3-7/16	85	4.4094	16.5354	12.5984	4.3307	1.7717	1.2992	1.5748	8.6614	4.5630	1.7165	1	M27	HC317-52 HC317-53 HC317-54 HC317-55 HC317	P317	25
HCP318-56 HCP318	3-1/2	90	4.6457	16.9291	12.9921	4.3307	1.7717	1.2992	1.7717	9.2520	4.8150	1.8425	1	M27	HC318-56 HC318	P318	30
HCP319-60 HCP319	3-3/4	95	4.9213	18.5039	14.1732	4.7244	1.9685	1.4173	1.7717	9.8425	5.0630	1.9685	1-1/8	M30	HC319-60 HC319	P319	37
HCP320-64 HCP320	4	100	5.5118	19.2913	14.9606	4.7244	1.9685	1.4173	1.9685	10.8268	5.0630	1.9685	1-1/8	M30	HC320-64 HC320	P320	37

NOTE: Grease Fittings available at 90° and 45° positions.