

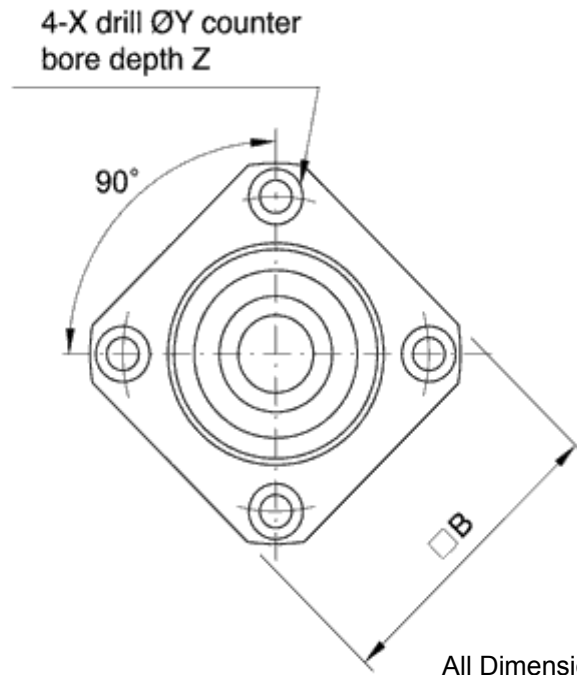
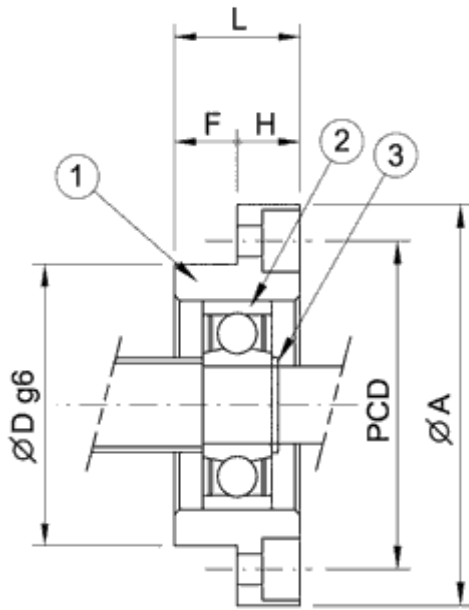
Ball Screw Support 滚珠丝杠支撑座

FF Series Supported Side Rectangular Type



Assembly consists of:

Item No.	Part Name	Quantity
1	Housing	1
2	Bearing	1 set
3	Snap Ring	1



All Dimensions in mm

Part Number	Shaft Dia. d1	B	H	F	D	A	PCD	B	X	Y	Z	Bearing
FF06	6	10	6	4	22 -0.007 +0.020	36	28	28	3.4	6.5	4	606ZZ
FF10	8	12	7	5	28 -0.007 +0.020	43	35	35	3.4	6.5	4	608ZZ
FF12	10	15	7	8	34 -0.009 +0.025	52	42	42	4.5	8	4	6000ZZ
FF15	15	17	9	8	40 -0.009 +0.025	63	50	52	5.5	9.5	5.5	6002ZZ
FF20	20	20	11	9	57 -0.01 +0.029	85	70	68	6.6	11	6.5	6204ZZ
FF25	25	24	14	10	63 -0.01 +0.029	98	80	79	9	14	8.5	6205ZZ
FF30	30	27	18	9	75 -0.01 +0.029	117	95	93	11	17.5	11	6206ZZ

MVB Power-Star Bearing Industry Co., Ltd.

Tel: +86-592-523 0986 Fax: +86-592-376 1975

Url: www.mvbbearing.com

Email: vivy@mvbbearing.com ; mvbbearing@gmail.com