

Ball Screw Support 滚珠丝杠支撑座

EF Series Supported Side Rectangular Type

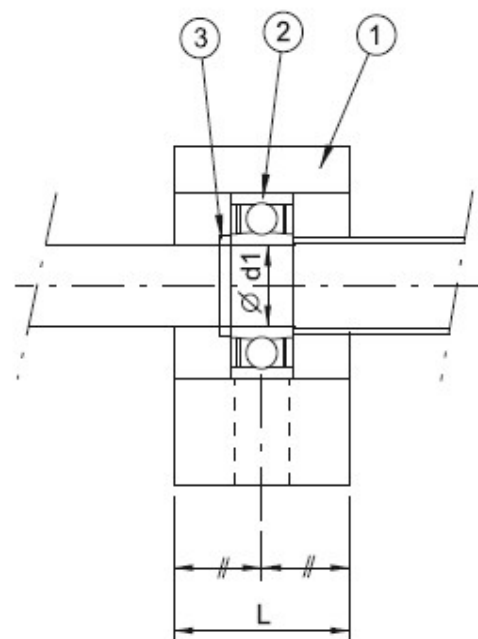
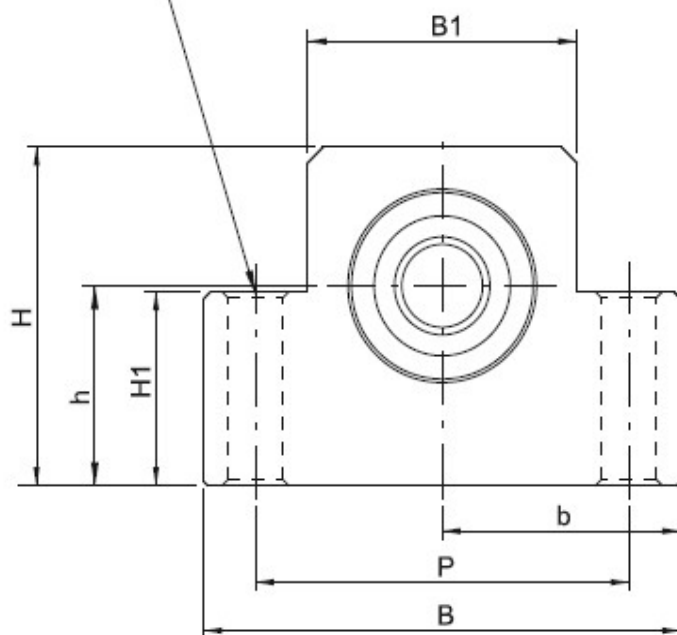


Assembly consists of:

Item No.	Part Name	Quantity
1	Housing	1
2	Bearing	1 set
3	Snap Ring	1



2-X $\text{dr} \square \text{OY}$ counter bore depth Z



All Dimensions in mm

Part Number	Shaft Dia. d1	L	B	H	b	h	B1	H1	P	X	Y	Z	Bearing	Snap
EF06	6	12	42	25	21	13	18	20	30	5.5	9.5	11	606ZZ	S 06
EF08	6	14	52	32	26	17	25	26	38	6.6	11	12	606ZZ	S 06
EF10	8	20	70	43	35	25	36	24	52	9	-	-	608ZZ	S 08
EF12	10	20	70	43	35	25	36	24	52	9	-	-	6000ZZ	S 10
EF15	15	20	80	49	40	30	41	25	60	9	-	-	6002ZZ	S 15
EF20	20	26	95	58	47.5	30	56	25	75	11	-	-	6204ZZ	S 20

MVB Power-Star Bearing Industry Co., Ltd.

Tel: +86-592-523 0986 Fax: +86-592-376 1975

Url: www.mvbbearing.com

Email: vivy@mvbbearing.com ; mvbbearing@gmail.com