

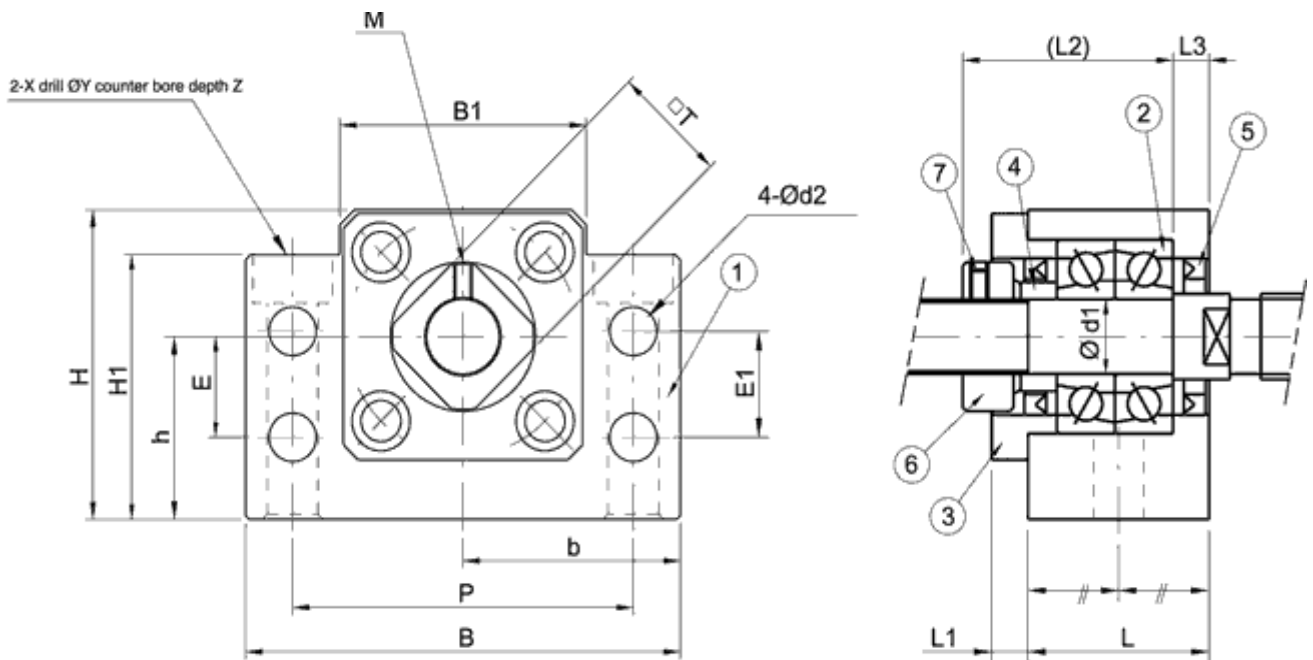
Ball Screw Support 滚珠丝杠支撑座

AK Series Fixed Side Rectangular Type



Assembly consists of:

Item No.	Part Name	Quantity
1	Housing	1
2	Bearing	1 set
3	Holding Lid	1
4	Collar	2
5	Seal	1 (2)
6	Lock Nut	1
7	Hexagon Socket Head Setscrew (with set piece)	1



All Dimensions in

Part Number	d1	L	L1	L2	L3	B	H	b	h	B1	H1	E1	P	d2	X	Y	Z	M	T	E
								±0.02	±0.02											
AK10	10	24	6	29.5	6	70	43	35	25	36	35	19	52	6.5	9	14	11	M3	16	15
AK12	12	24	6	29.5	6	70	43	35	25	36	35	19	52	6.5	9	14	11	M3	19	15
AK15	15	24	6	36	5	80	50	40	30	41	40	19	60	6.5	11	17	15	M3	22	15

Features

•Do not disassemble the support unit

•When inserting a screw shaft into the support unit, take care to prevent peeling the oil-seal lip

•The bearing is filled with grease

•After inserting the fixed side support unit, lock the lock nut using the set piece and hexagon socket head setscrew

MVB Power-Star Bearing Industry Co., Ltd.

Tel: +86-592-523 0986 Fax: +86-592-376 1975

Url: www.mvbbearing.com

Email: vivy@mvbbearing.com ; mvbbearing@gmail.com