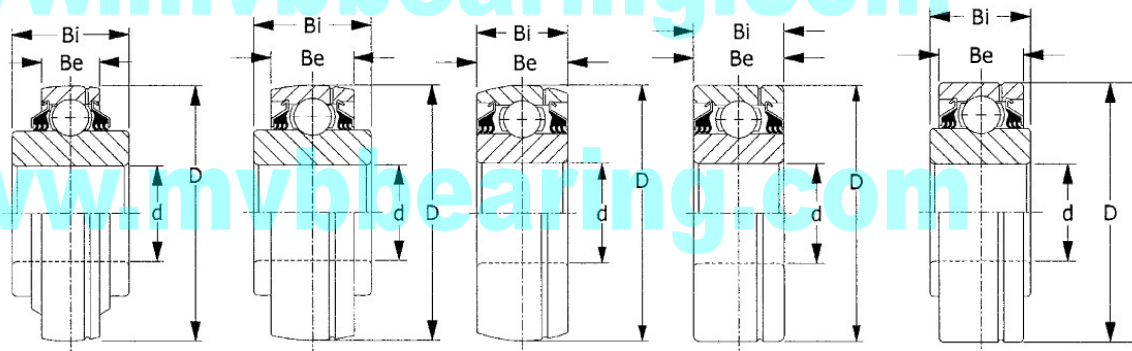


Heavy Duty Disc Harrow Bearings are made with triple lip seals to protect from corrosive environments. This seal is a one piece shroud cover with three molded contact seals. Standard relubrication feature is a drilled hole in groove.



XMVB Bearing No.	TYPE	d		D		Be		Bi		Load Rating (lbf)		Weifht lbs.
		nominal	TOL+0/to minus shown	nominal	TOL+0/to minus shown	nominal	TOL+0/to minus shown	nominal	TOL+0/to minus shown	Dynamic	Static	
GW209PPB2	3	1.7717	0.0005	3.3465	0.0006	1.1880	0.0050	1.1880	0.0050	7350	4150	1.44
		45	0.013	85.000	0.015	30.175	0.127	30.175	0.127			
GW209PPB4	3	1.5350	0.0100	3.3465	0.0006	1.1880	0.0050	1.1880	0.0050	7350	4150	1.65
		39.000	0.254	85.000	0.015	30.175	0.127	30.175	0.127			
GW209PPB11	1	1.7810	0.0100	3.3465	0.0006	0.8660	0.0050	1.4380	0.0050	7350	4150	1.37
		45.237	0.254	85.000	0.015	22.000	0.127	36.525	0.127			
GW210PPB2	3	1.9380	0.0005	3.5433	0.0006	1.1880	0.0050	1.1880	0.0050	7880	4650	1.5
		49.225	0.013	90.000	0.015	30.175	0.127	30.175	0.127			
GW210PPB5	3	1.7850	0.0100	3.5433	0.0006	1.1880	0.0050	1.1880	0.0050	7880	4650	1.8
		45.339	0.254	90.000	0.015	30.175	0.127	30.175	0.127			
GW210PP3	4	1.4065	0.0005	3.5433	0.0006	1.1880	0.0050	1.1880	0.0050	7880	4650	2.25
		37.530	0.013	90.000	0.015	30.175	0.127	30.175	0.127			
GW210PP9	5	1.9450	0.0070	3.5433	0.0006	0.9060	0.0050	1.4380	0.0050	7880	4650	1.75
		49.403	0.178	90.000	0.015	23.000	0.127	36.525	0.127			
GW211PP2	4	2.1880	0.0006	3.9370	0.0060	1.3120	0.0060	1.3120	0.0060	9740	5850	3
		55.575	0.015	100.000	0.015	33.325	0.152	33.325	0.152			
GW211PPB2	3	2.1880	0.0006	3.9370	0.0006	1.3120	0.0600	1.3120	0.0060	9740	5850	2.62
		55.575	0.015	100.000	0.015	33.325	0.152	33.325	0.152			
GW211PPB8	1	2.1880	0.0006	3.9370	0.0006	0.9840	0.0600	1.3120	0.0060	9740	5850	1.85
		55.575	0.015	100.000	0.015	25.000	0.152	33.325	0.152			
GW211PPB9	1	2.1950	0.0070	3.9370	0.0006	0.9840	0.0060	1.5620	0.0060	9740	5850	2.02
		55.753	0.178	100.000	0.015	25.000	0.152	39.675	0.152			
GW211PPB10	3	1.9380	0.0006	3.9370	0.0006	1.3120	0.0060	1.3120	0.0060	9740	5850	2.26
		49.225	0.015	100.000	0.015	33.325	0.152	33.325	0.152			
GW211PPB13	1	1.7850	0.0100	3.9370	0.0006	0.9840	0.0050	1.3120	0.0060	9740	5850	2.02
		45.339	0.254	100.000	0.015	25.000	0.127	33.325	0.152			
GW211PPB14	1	2.0150	0.0100	3.9370	0.0006	0.9840	0.0060	1.3120	0.0060	9740	5850	2
		51.181	0.254	100.000	0.015	25.000	0.152	33.325	0.152			
GW211PP25	5	1.7800	0.0050	3.9300	0.0006	1.3120	0.0060	1.7500	0.0060	9740	5850	2.44
		45.212	0.127	100.000	0.015	33.325	0.152	44.450	0.152			
GW214PP2	4	2.7559	0.0006	4.9213	0.0008	1.5620	0.0060	1.5620	0.0060	14000	8800	4.19
		70.000	0.015	125.000	0.020	39.675	0.152	39.675	0.152			
GW214PPB2	3	2.7559	0.0006	4.9213	0.0008	1.5620	0.0060	1.5620	0.0060	14000	8800	3.96
		70.000	0.015	125.000	0.020	39.675	0.152	39.675	0.152			
GW214PPB3	3	1.9380	0.0006	4.9213	0.0008	1.5620	0.0060	1.5620	0.0060	14000	8800	4.24
		49.225	0.015	125.000	0.020	39.675	0.152	39.675	0.152			
GW214PPB5	2	2.7559	0.0006	4.9213	0.0008	1.5620	0.0060	2.4380	0.0060	14000	8800	4.75
		70.000	0.015	125.000	0.020	39.675	0.152	61.925	0.152			
GW214PPB6	2	2.6881	0.0006	4.9213	0.0008	1.1024	0.0060	2.6875	0.0060	14000	8800	5.14
		68.278	0.015	125.000	0.020	28.000	0.152	68.263	0.152			
GW216PPB3	1	3.0100	0.0100	5.5118	0.0008	2.5000	0.0060	1.1810	0.0060	16000	10800	
		76.450	0.250	140.000	0.020	63.500	0.152	30.000	0.152			
GW216PP5	4	2.5150	0.0100	5.5118	0.0008	2.5000	0.0060	1.1810	0.0060	16000	10800	
		63.830	0.250	140.000	0.020	63.500	0.152	30.000	0.152			