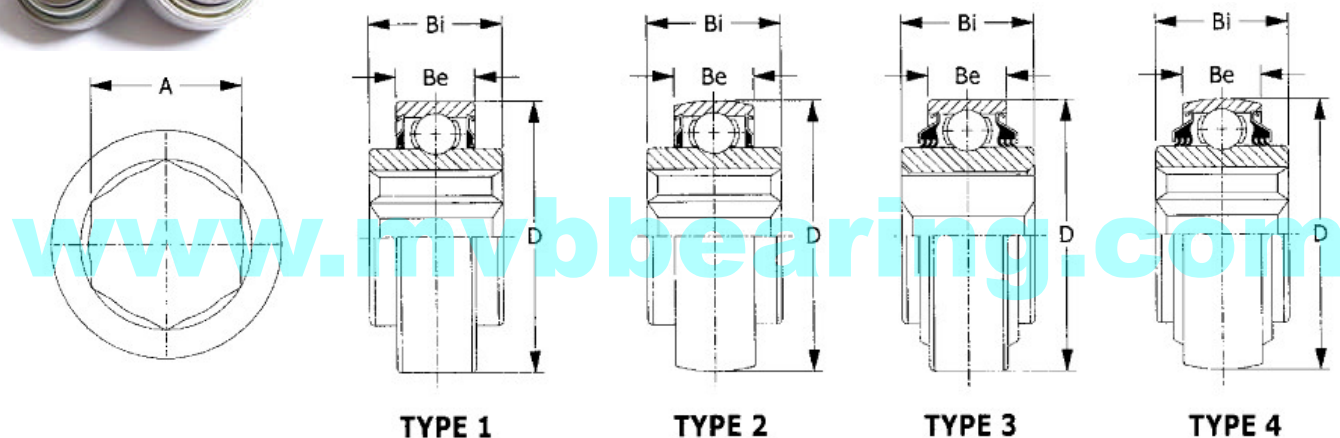




This series features a hex bore. Used in applications where collars, set screws, or any other locking devices are not required. Also available relubricable-prefix "G".



XMVB Bearing No.	TYPE	Hex Shaft Size (in)	B & A		B & A TOL+0/ to minus	D		Be nominal	Bi nominal	Be&Bi TOL+0/ to minus	W		Load Rating (lbf)		Weight lbs.
			nominal	nominal		nominal	TOL+0/to minus shown				nominal	TOL+0/to minus shown	Dynamic	Static	
202KRR3	1	9/16	0.6480	0.5630	0.0050	1.3780	0.0005	0.4330	0.5120	0.0050	0.9720	0.0050	2160	1000	0.12
			16.459	14.3	0.127	35.000	0.013	11.000	13.000	0.127	24.689				
204KPP2	3	11/16	0.7960	0.6950	0.0050	1.8504	0.0005	0.5510	0.8250	0.0050	1.1340	0.0050	2900	1000	0.34
			20.218	17.653	0.127	47.000	0.013	14.000	20.955	0.127	28.804				
204KRR2	1	11/16	0.7960	0.6950	0.0050	1.8504	0.0005	0.5510	0.825	0.005	1.1340	0.005	2900	1410	0.32
			20.218	17.653	0.127	47.000	0.013	14.000	20.955	0.127	28.804				
204KRRB2	2	11/16	0.7960	0.6950	0.0050	1.8504	0.0005	0.5510	0.8250	0.005	1.1340	0.005	2900	1410	0.32
			20.218	17.653	0.127	47.000	0.013	14.000	20.955	0.127	28.804				
205KPP2	3	7/8	1.0100	0.8760	0.0050	2.0472	0.0005	0.5910	1.0000	0.005	1.3340	0.005	3150	1610	0.47
			25.654	22.250	0.127	52.000	0.013	15.000	25.400	0.127	33.883				
205KRR2	1	7/8	1.0100	0.8760	0.0050	2.0472	0.0005	0.5910	1.0000	0.005	1.3340	0.005	3150	1610	0.44
			25.654	22.250	0.127	52.000	0.013	15.000	25.400	0.127	33.883				
205KPPB2*	4	7/8	1.0100	0.8760	0.0050	2.0472	0.0005	0.5910	1.0000	0.005	1.3340	0.005	3150	1610	0.47
			25.654	22.250	0.127	52.000	0.013	15.000	25.400	0.127	33.883				
205KRRB2	2	7/8	1.0100	0.8760	0.0050	2.0472	0.0005	0.5910	1.0000	0.005	1.3340	0.005	3150	1610	0.44
			25.654	22.250	0.127	52.000	0.013	15.000	25.400	0.127	33.883				
206KRR6	1	1	1.1520	1.0010	0.0050	2.4409	0.0005	0.6300	0.9450	0.005	1.5940	0.005	4370	2320	0.75
			29.261	25.425	0.127	620.000	0.013	16.000	24.000	0.127	40.488				
206KRRB6	2	1	1.1520	1.0010	0.0050	2.4409	0.0005	0.6300	0.9450	0.005	1.5940	0.005	4370	2320	0.75
			29.261	25.425	0.127	62.000	0.013	16.000	24.000	0.127	40.488				
G207KPPB2	4	1 1/8	1.2980	1.1260	0.0050	2.8346	0.0005	0.7480	1.4840	0.005	1.8430	0.005	5770	3150	1.1
			32.969	28.600	0.127	72.000	0.013	19.000	37.694	0.127	46.812				
207KRRB9	2	1 1/8	1.2980	1.1260	0.0050	2.8346	0.0005	0.6690	1.4840	0.005	1.8430	0.005	5770	3150	1.0
			32.969	28.600	0.127	72.000	0.013	17.000	37.694	0.127	46.812				
207KRRB12	2	1 1/8	1.2980	1.1260	0.0050	2.8346	0.0005	0.6690	0.9840	0.005	1.8430	0.005	5770	3150	0.87
			32.969	28.600	0.127	72.000	0.013	17.000	25.000	0.127	46.812				
GW208PPB22*	4	1 1/4	1.4500	1.2510	0.0050	3.1496	0.0005	0.8270	1.4380	0.005	2.0840	0.005	7340	3650	1.5
			36.83	31.877	0.127	80.000	0.013	21.000	36.520	0.127	52.934				
W208KRRB6	2	1 3/8	1.5870	1.3760	0.0050	3.1496	0.0005	0.8270	1.4380	0.005	2.0840	0.005	7340	3650	1.31
			40.301	34.950	0.127	80.000	0.013	21.000	36.520	0.127	52.934				
W208PPB16	4	1 1/4	1.4500	1.2510	0.0050	3.1496	0.0005	0.7090	1.4380	0.005	2.0840	0.005	7340	3650	1.45
			36.652	31.775	0.127	80.000	0.013	18.000	36.520	0.127	52.934				
G209KPPB2*	4	1 1/2	1.7300	1.5010	0.0050	3.3465	0.0006	0.7480	1.1810	0.005	2.3050	0.005	7350	4150	1.26
			43.942	38.125	0.127	85.000	0.015	19.000	30.000	0.127	58.547				
209KRRB2	2	1 1/2	1.7300	1.5010	0.0050	3.3465	0.0006	0.7480	1.1810	0.005	2.3050	0.005	7350	4150	1.27
			43.942	38.125	0.127	85.000	0.015	19.000	30.000	0.127	58.547				
GC211-32NLC*	3	1 3/4	2.0200	1.7510	0.0050	3.9370	0.0006	0.9840	2.2500	0.006	2.7461	0.005	9740	5850	3.35
			51.308	44.475	0.127	100.000	0.015	25.000	57.150	0.152	69.750				

*Relubricable

** Double row bearing with double lip shroud seals.