

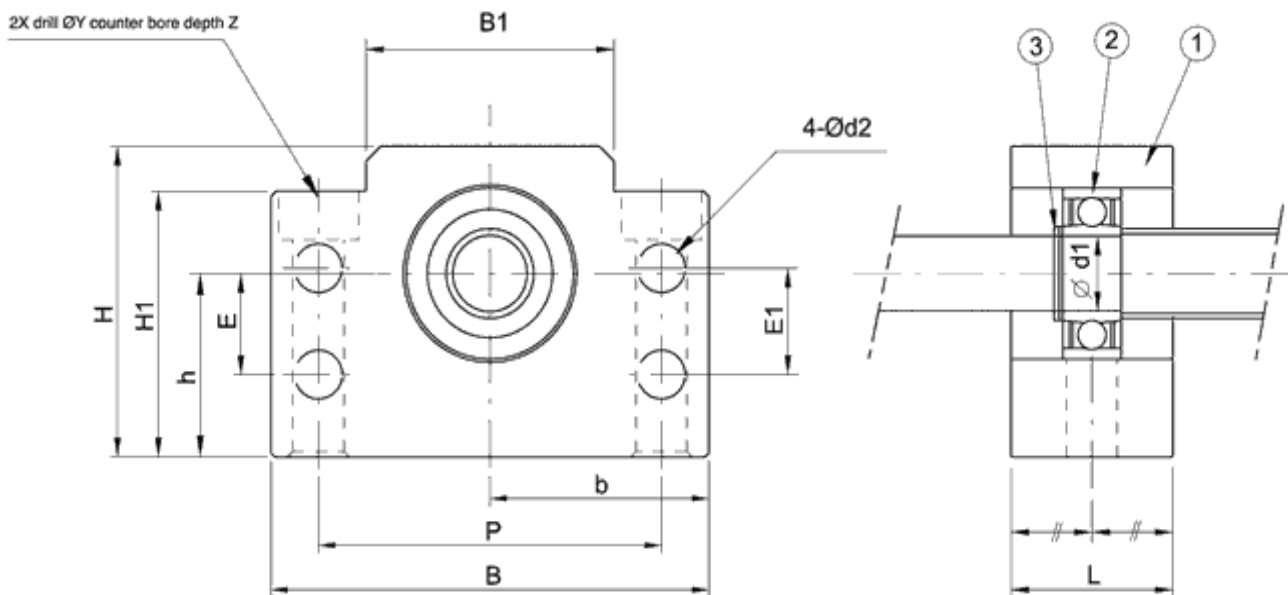
Ball Screw Support 滚珠丝杠支撑座

AF Series Supported Side Rectangular Type



Assembly consists of:

Item No.	Part Name	Quantity
1	Housing	1
2	Bearing	1 set
3	Snap Ring	1



All Dimensions in mm

Part Number	Shaft Dia. d1	L	B	H	b	h	B1	H1	E	P	d2	X	Y	Z	Bearing	Snap Ring
					±0.02	±0.02										
AF10	8	20	70	43	35	25	36	35	19	52	6.5	9	14	11	608ZZ	S 08
AF12	10	20	70	43	35	25	36	35	19	52	6.5	9	14	11	6000ZZ	S 10
AF15	15	20	80	49	40	30	41	40	19	60	6.5	9	14	11	6002ZZ	S 15

MVB Power-Star Bearing Industry Co., Ltd.

Tel: +86-592-523 0986 Fax: +86-592-376 1975

Url: www.mvbbearing.com

Email: vivy@mvbbearing.com ; mvbbearing@gmail.com